



944 West Fifth Avenue • Columbus • Ohio • 43212
 Ph: 614.291.4342 • Fax: 614.291.6660 • FortinIronworks.com

Dumpster Gate Order Form

Phone # (614) 291-4342

Fax # (614) 291-6660

ORDER ON-LINE

SHOP.FORTINIRONWORKS.COM

Bill To: _____

Ship To: _____

Address: _____

Address: _____

City: _____

City: _____

State: _____ Zip: _____

State: _____ Zip: _____

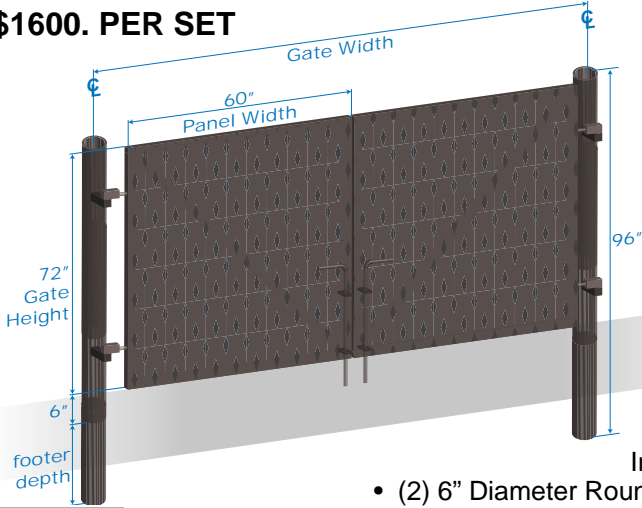
Purchaser's Name: _____

Contact: _____

Phone #: _____ Fax #: _____

Job Phone #: _____

COVERED DOUBLE LEAF DUMPSTER GATES \$1600. PER SET



Includes:

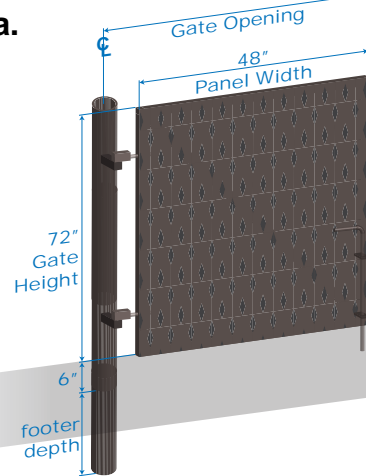
- (2) 6" Diameter Round Posts
- (4) 1" Adjustable Hinge Bolts
- (2) 1" Diameter Drop Pins
- Covered By 14ga Deck Plate

Height _____

Width _____

QUANTITY _____

COVERED SINGLE LEAF PIT GATE \$800.ea.



Includes:

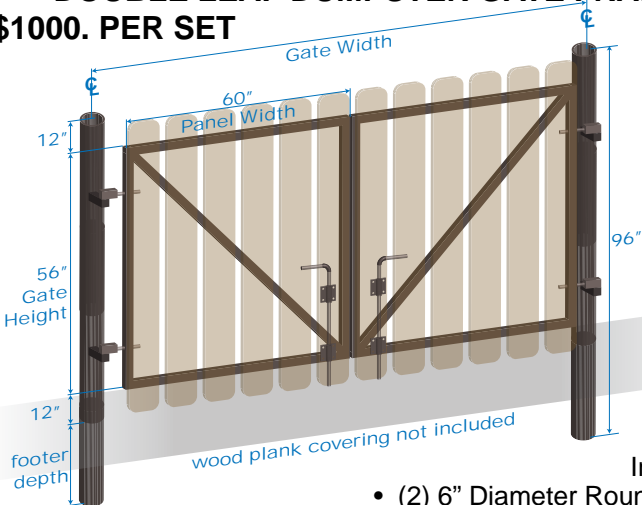
- (1) 6" Diameter Round Posts
- (2) 1" Adjustable Hinge Bolts
- (1) 1" Diameter Drop Pins
- Covered By 14ga Deck Plate

Height _____

Width _____

QUANTITY _____

DOUBLE LEAF DUMPSTER GATE FRAME \$1000. PER SET



Includes:

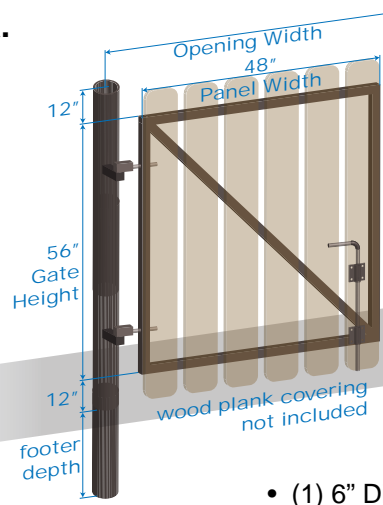
- (2) 6" Diameter Round Posts
- (4) 5/8" Adjustable Hinge Bolts
- (2) 3/4" Diameter Drop Pins
- This Is A Gate Frame Only

Height _____

Width _____

QUANTITY _____

SINGLE LEAF PIT GATE FRAME \$500.ea.



Includes:

- (1) 6" Diameter Round Posts
- (2) 5/8" Adjustable Hinge Bolts
- (1) 3/4" Diameter Drop Pins
- This Is A Gate Frame Only

Height _____

Width _____

QUANTITY _____

• Please Allow 3-4 Weeks To Ship • Cost Shown F.O.B. Columbus, Ohio
 • Prices Subject To Change Without Notice • Please Check Your Prints For Sizes & Quantities
 • Prices Are In U.S. Dollars • Dumpster Gates & Accessories Primed ONLY
 • TAX NOT INCLUDED • Custom Sizes Are Available by Request

QUOTE ONLY

PROCEED WITH ORDER

PO# _____ Print Name: _____

Preferred Ship Date: _____ Signature _____



Dumpster Gate Accessories Order Form

Phone # (614) 291-4342

Fax # (614) 291-6660

ORDER ON-LINE

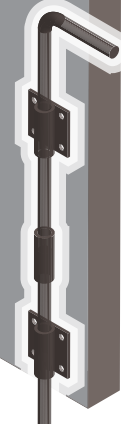
SHOP.FORTINIRONWORKS.COM

944 West Fifth Avenue • Columbus • Ohio • 43212
Ph: 614.291.4342 • Fax: 614.291.6660 • FortinIronworks.com

Bill To: _____
 Address: _____
 City: _____
 State: _____ Zip: _____
 Purchaser's Name: _____
 Phone #: _____ Fax #: _____


Ship To: _____
 Address: _____
 City: _____
 State: _____ Zip: _____
 Contact: _____
 Job Phone #: _____

DROP PIN
\$50.ea. Includes:
 • (1) 3/4" Drop Pin
 • (2) Drop Pin Brackets
 • (1) Slide Stop Collar



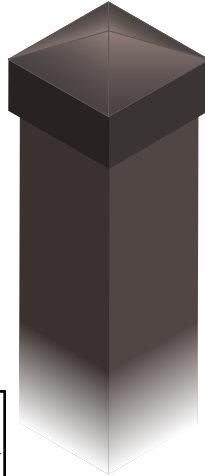
QUANTITY

6" X 9' PIPE BOLLARD
\$90.ea.
 • Post Only
 • No Hinge Tabs
 • Used For Barriers Only



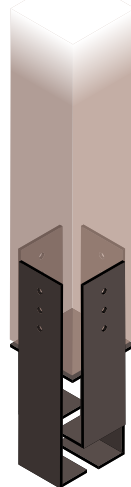
QUANTITY

2" X 10' SIGN POST
\$75.ea.
 • Pressed Steel Cap
 • Used For Parking Lot Signs



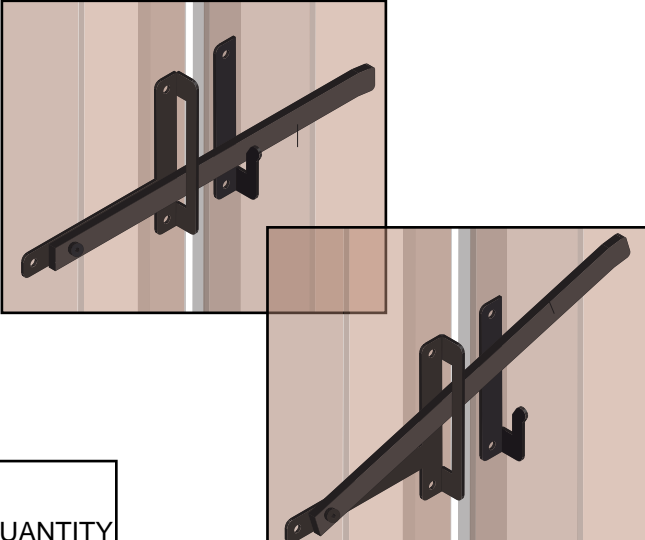
QUANTITY

BASE SUPPORT
\$70.ea.
 • Holds 6"x6" Wood Post
 • Use Into Concrete Footer




QUANTITY

DUMPSTER GATE LATCH
\$150.ea.



QUANTITY

RED EXTERIOR GUARD RAIL



• Used Near Drive Thru
 • Stainless Steel Construction
 • Powder Coated Red

QUANTITY	36" \$270.
QUANTITY	48" \$320.
QUANTITY	60" \$450.
QUANTITY	72" \$540.

• Please Allow 3-4 Weeks To Ship
 • Prices Subject To Change Without Notice
 • Prices Are In U.S. Dollars
 • TAX NOT INCLUDED

• Cost Shown F.O.B. Columbus, Ohio
 • Please Check Your Prints For Sizes & Quantities
 • Dumpster Gates & Accessories Primed ONLY
 • Custom Sizes Are Available by Request

PO# _____ Print Name: _____
 Preferred Ship Date: _____ Signature _____

QUOTE ONLY
 PROCEED WITH ORDER